

PRODUCT INFORMATION PACKET

Model No: 5KC46LN0252

Catalog No: C1460

3/4 HP Instant Reversing Motor, 1 phase, 1800 RPM, 115/230 V, 56 Frame, ODP
Instant Reversing Motors



Regal and Marathon are trademarks of Regal Beloit Corporation or one of its affiliated companies.
©2020 Regal Beloit Corporation, All Rights Reserved. MC017097E

REGAL

Nameplate Specifications

| | | | |
|----------------------------|------------|------------------------|------------|
| Output HP | 0.75 Hp | Output KW | 0.56 kW |
| Frequency | 60 Hz | Voltage | 115/230 V |
| Current | 13.2,6.6 A | Speed | 1725 rpm |
| Service Factor | 1.25 | Phase | 1 |
| Efficiency | 66 % | Power Factor | 0 |
| Duty | Continuous | Insulation Class | B |
| KVA Code | M | Frame | 56 |
| Enclosure | Drip Proof | Thermal Protection | N/R |
| Ambient Temperature | 40 °C | Drive End Bearing Size | 6203 |
| Opp Drive End Bearing Size | 6203 | UL | Recognized |
| CSA | Yes | CE | N |

Technical Specifications

| | | | |
|--------------------|-------------------------------|-----------------------|--------------------|
| Electrical Type | Capacitor Start Induction Run | Starting Method | SM |
| Poles | 4 | Rotation | Instant Reversible |
| Mounting | Rigid Base | Motor Orientation | ANY |
| Drive End Bearing | BALL | Opp Drive End Bearing | Ball |
| Frame Material | Rolled Steel | Overall Length | 10.78 in |
| Frame Length | 6.55 in | Shaft Diameter | 0.630 in |
| Shaft Extension | 1.88 in | | |
| Connection Drawing | 52A106888 | Outline Drawing | 52A107886P1 |

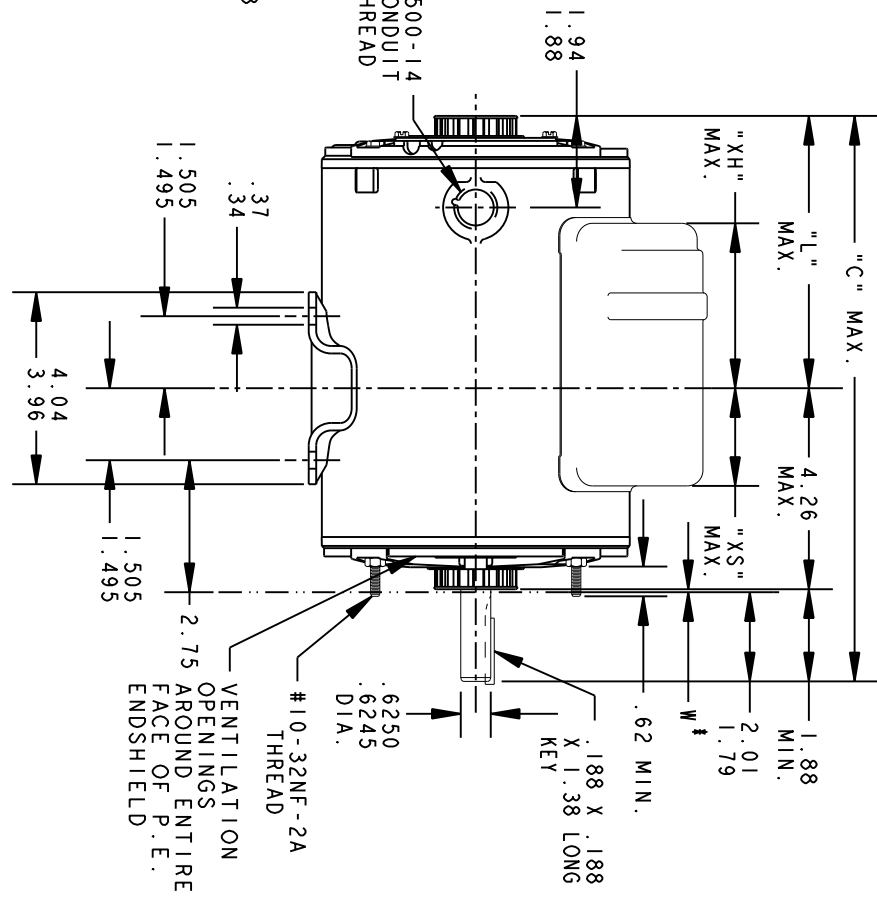
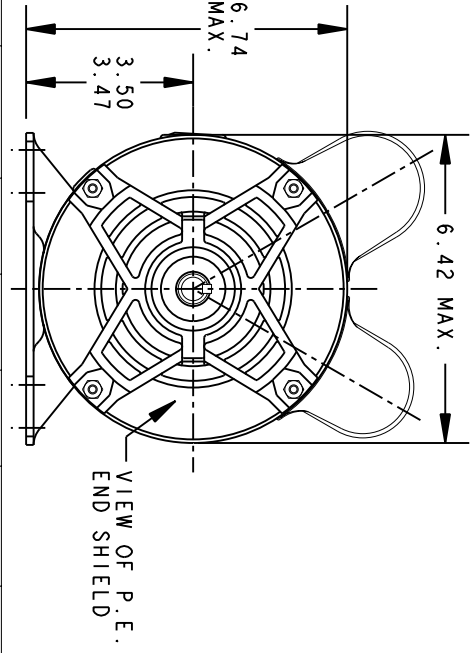
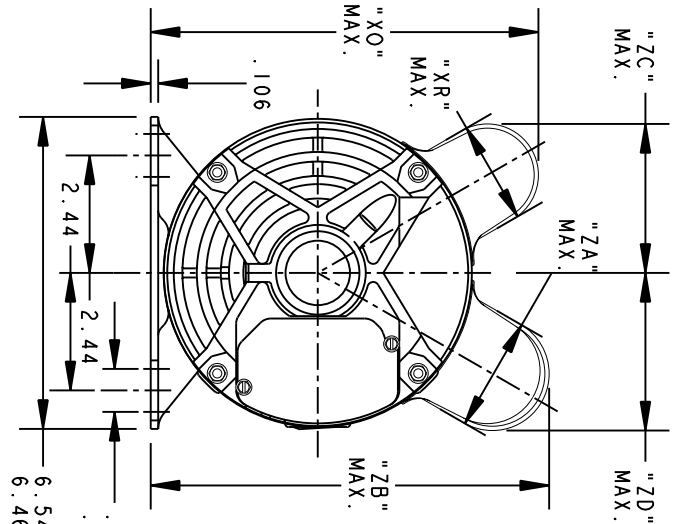
This is an uncontrolled document once printed or downloaded and is subject to change without notice. Date Created:03/11/2020

THIRD ANGLE PROJECTION



REVISIONS

| REV. | DESCRIPTION | DATE | APPROVED |
|------|---------------------------------|----------|----------|
| 2 | CHG TO RBC FORMAT PER IS05-1777 | 03/08/06 | SUDHA |



* W IS A VARIABLE CLEARANCE DUE TO VARIATIONS IN PARTS AND ASSEMBLY

| P | TYPE | GE SIZE | NEMA "C" | "L" | "XH" | "XO" | "XR" | "XS" | "ZA" | "ZB" | "ZC" | "ZD" | MIN. SHELL | |
|---|------|---------|----------|-------|------|------|------|------|------|------|------|------|------------|------|
| 2 | KC | 49 | 56 | 11.38 | 5.22 | 3.16 | 8.18 | 2.15 | 2.41 | 2.40 | 8.40 | 3.20 | 3.38 | 7.15 |
| 1 | KC | 46 | 56 | 10.78 | 4.62 | 2.81 | 8.18 | 2.15 | 2.81 | 2.40 | 8.40 | 3.20 | 3.38 | 6.55 |

| SIGNATURES | DATE | |
|------------|----------|----------|
| MODEL | MA MARKS | 01/21/94 |
| DETAIL | CHECKED | |
| ENGRG | | |
| MFG | | |
| QUALITY | | |
| ISSUED | MA MARKS | 01/21/94 |



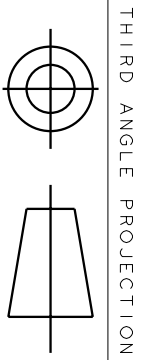
REGAL-BELOTT CORPORATION

TITLE OUTLINE

GENERAL PURPOSE MOTOR DRIP PROOF - BALL BEARING - WELD BASE FWF - 40 FRAME REDESIGN (5KC46GN0251Y)

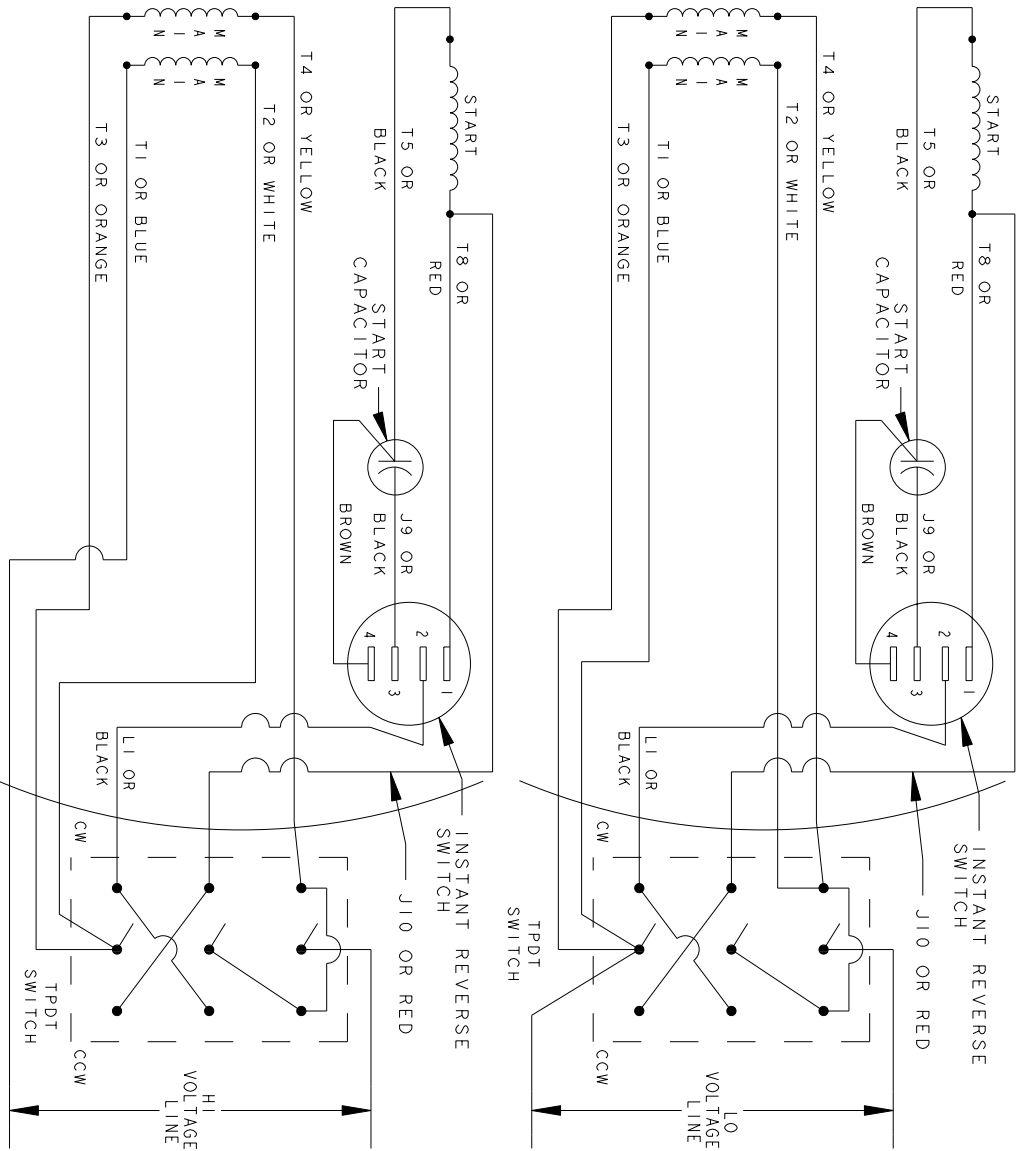
| | |
|-------------------------------|------------------------|
| FOR ADDITIONAL INFO REFER TO: | |
| APPLIED PRACTICES | |
| DIMENSIONS ARE IN INCHES | |
| MATERIAL | SOLID MODEL: 52A107886 |

| | | |
|-----------|---------|-----------|
| SIZE | DRAWING | A |
| SCALE: | 0.250 | REF. No.: |
| 52A107886 | | REV 2 |
| SHEET | 1 of 1 | |



| THIRD ANGLE PROJECTION | | REVISIONS | |
|------------------------|-----------------------|-----------|----------|
| REV. | DESCRIPTION | DATE | APPROVED |
| 2 | UPDATED TO RBC FORMAT | 01/11/06 | MAM |

INSTANTLY REVERSIBLE STERNS IR SWITCH
DUAL VOLTAGE - TYPE KC



NOTE#1 - WHEN MORE THAN ONE CAPACITOR IS USED, CONNECT IN PARALLEL.
NOTE#2 - DO NOT APPLY HI-POT VOLTAGE FROM LEAD TO LEAD. TIE ALL LEADS TOGETHER AND HI-POT TO GROUND. IF HI-POT LEAD TO LEAD IS PERFORMED, DISCONNECT SWITCH PRIOR TO HI-POT OPERATION. FAILURE TO DO THIS COULD RESULT IN ELECTRONIC COMPONENT IN S.S. SWITCH.

REF. DIAG. - NONE CONNECTION LABEL - 52X333067

| SIGNATURES | | DATE |
|--------------|-----------|----------|
| MODEL | M.D.P. | 06/11/92 |
| DETAIL | . | . |
| CHECKED | . | . |
| ENGRG | . | . |
| MFG | . | . |
| QUALITY | . | . |
| ISSUED | M.D.P. | 06/11/92 |
| SOLID MODEL: | 52A106888 | |



REGAL-BELOLT CORPORATION

CONNECTION DIAGRAM

FMF: 5KC35HNA323

| | | | | | | | |
|-------|---------|-----------|-------|-----------|---|-------|--------|
| SIZE | DRAWING | SCALE: | 1.000 | REF. No.: | . | SHEET | 1 of 1 |
| TITLE | | 52A106888 | | REV | | 2 | |